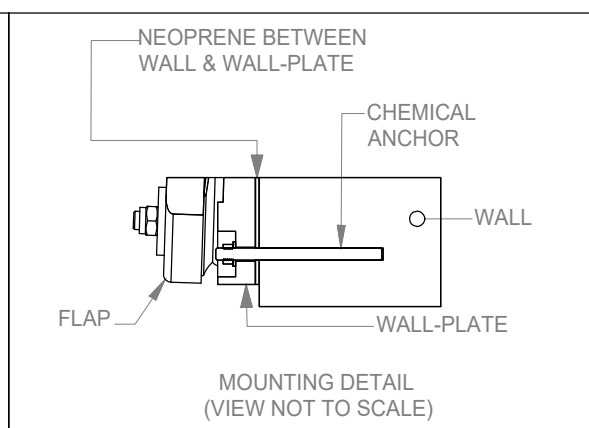


VIEW SCALE:1:12

- NOTES:
- DIMENSIONS ARE FOR INDICATION ONLY AND MAY VARY DUE TO PART MANUFACTURING TOLERANCES AND INSTALLATION DETAILS
  - OPENING: Ø500mm
  - MATERIALS:
    - SYNTHETIC RUBBER (EPDM)
    - OIL-RESISTANT RUBBER (NBR)
    - HIGH DENSITY POLYETHYLENE (HDPE)
    - STAINLESS STEEL (SS316L)
  - MAX LOAD FROM BOTTOM INVERT LEVEL (B.I.L.)
  - 1.50 MWC LONG PERIOD
  - 5.0 MWC SHORT PERIOD
  - CHEMICAL ANCHORS = THREADED ROD + WASHER + NUT
  - 2PCS M8X150 & 2PCS M8X110 (INCL.)
  - NEOPRENE SEAL (INCL.)



MOUNTING DETAIL (VIEW NOT TO SCALE)

FOR MORE INFORMATION SEE FULL INSTALL DETAILS

A	23/03/2026	INITIAL ISSUE	JD	GH
Issue	Date	Description	Created	Approved
		ACO Business Park Hitchin Road Shefford Bedfordshire SG17 5TE, UK Tel: 01462 816666 www.aco.co.uk	Drawing Number: E1-M01-841-1	Part Number: 34689
Created by: JD		Created at: 23/03/2026	Projection: ISO-A	Units: mm
Protection note: DIN ISO 16016		Format: A3		Scale: 1:7
Information contained in this drawing is copyright property of ACO Technologies plc. Any reproduction in part or whole without written permission of ACO Technologies plc is prohibited				
			Sheet: 1 of 1	