



ACO Q-Penstock SD

DATA SHEET

The ACO Q-Penstock SD is a wall-mounted penstock designed to temporarily block or allow the flow of water in surface water, wastewater and process water systems.

The penstock body is manufactured from durable HDPE and reinforced with stainless steel 316L profiles. As standard, the ASE is supplied with a stainless steel 316L non-rising spindle and an EPDM sealing arrangement. It is capable of handling a 3m water column, bidirectional.

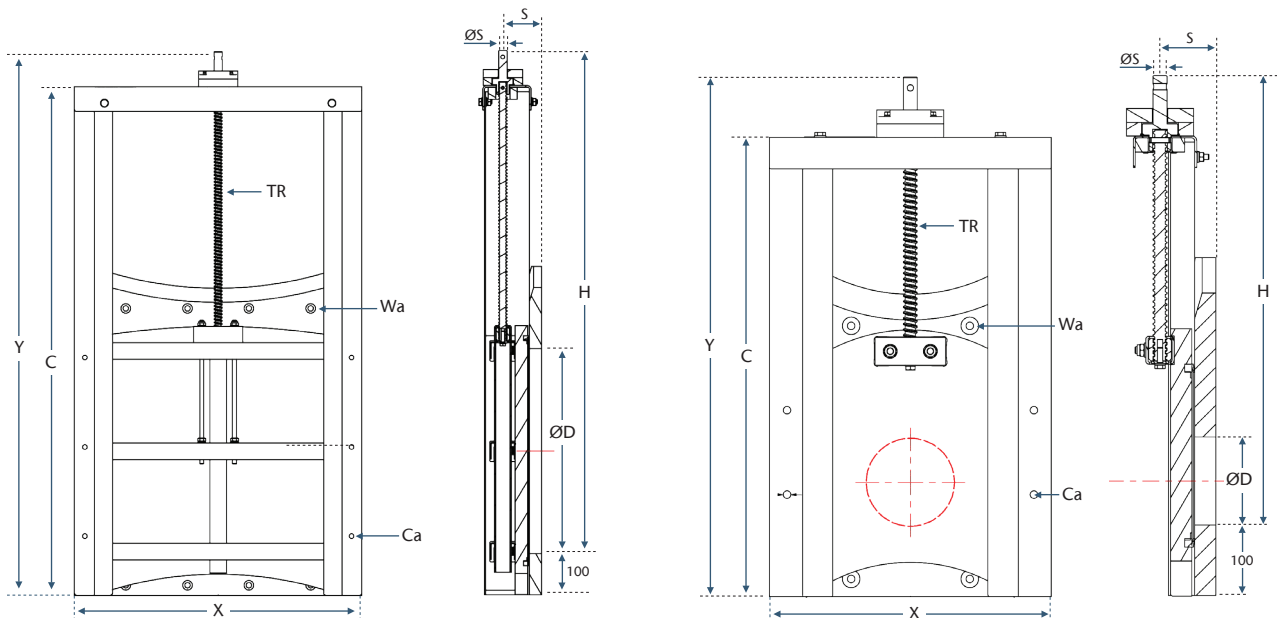
Thanks to the curved penstock door design, contamination is less likely to obstruct operation. In many cases, the door can cut through debris and still achieve closure. The curved profile also increases door strength, helping to minimise the risk of leakage.

The Q-Penstock SD complies with DIN 19569-4, Class 4. It is suitable for wall mounting. For alternative mounting options, the Q-Penstock HD is recommended.

The standard Q-Penstock SD is only suitable for flat wall mounting as standard. Curved wall installations would require additional guidance.

Benefits

- Light weight materials with high chemical resistance
- EPDM seal
- Standard design for flat wall mounting
- Standard sealing head: 3m water column (bidirectional)
- Curved penstock door and frame plate to reduce the chance of contamination blocking closure and to reduce wear on the EPDM seal
- Low maintenance construction with flexible, mould free design



Product Code	Description	Length	Depth	Width	H	B	C	S	ØS	Wedge Anchor	Fixing Kit Req:	App. Weight	
		ØD	X	Y									Z
34718	ACO Q-Penstock SD 100mm	110	400	739	127	639	480	653	79	20	M10x60 (4x)	34710	16
34719	ACO Q-Penstock SD 125mm	125	400	739	127	639	480	653	79	20	M10x60 (4x)	34710	16
34720	ACO Q-Penstock SD 160mm	160	400	739	127	639	480	653	79	20	M10x60 (4x)	34710	17
34721	ACO Q-Penstock SD 200mm	200	400	739	127	639	480	653	79	20	M10x60 (4x)	34710	17
34722	ACO Q-Penstock SD 250mm	250	500	944	127	844	580	858	79	20	M10x60 (4x)	34710	19
34723	ACO Q-Penstock SD 300mm	300	500	944	127	844	580	858	79	20	M10x60 (4x)	34710	19
34724	ACO Q-Penstock SD 400mm	400	600	1144	127	1044	700	1058	79	20	M10x60 (4x)	34710	21
34725	ACO Q-Penstock SD 500mm	500	700	1327	143	1227	800	1241	94	20	M10x60 (4x)	34711	51
34726	ACO Q-Penstock SD 600mm	600	800	1547	145	1447	900	1461	94	20	M10x60 (4x)	34712	61

Other mounting options

The ACO Q-Penstock SD is designed for a flat wall installation. Where alternative installation types are required ACO recommends the ACO Q-Penstock HD. Upon request the alternative installations are available for ACO Q-Penstock HD.

For further information please contact: uk-swc@aco.co.uk

ACO Water Management Contacts:

Sales: customersupport@aco.co.uk

Technical: technical@aco.co.uk

Tel: 01462 816666

www.aco.co.uk

ACO. we care for water

