

1 2 3 4 5 6

A

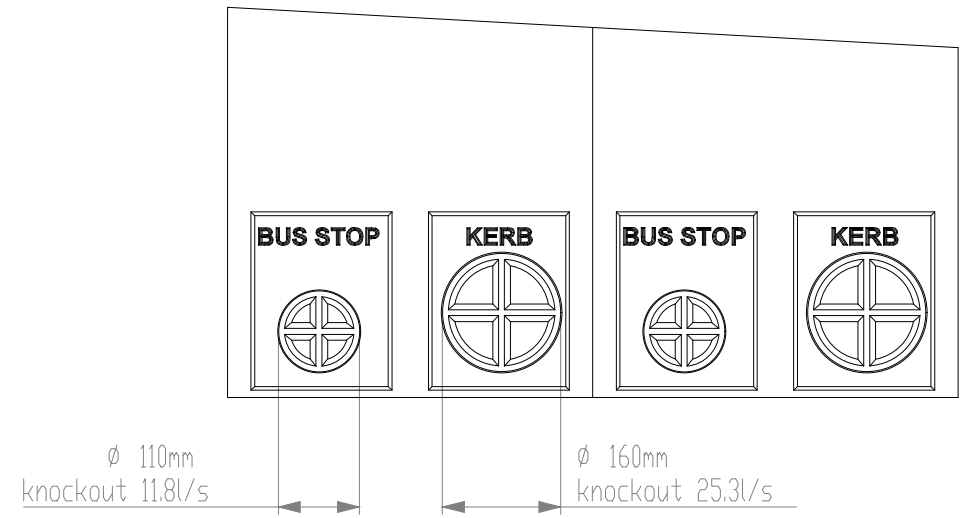
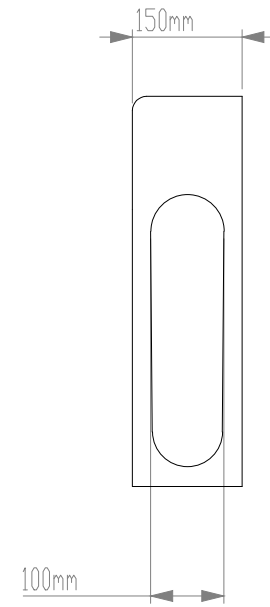
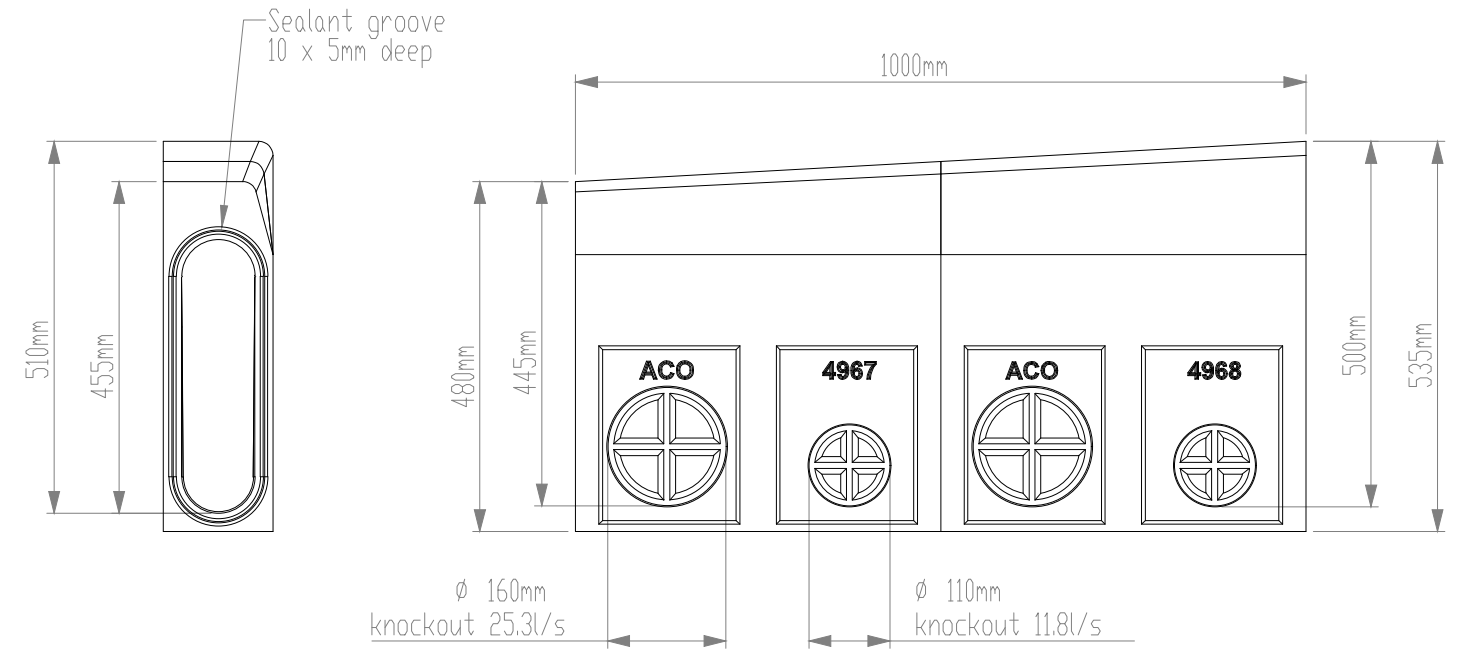
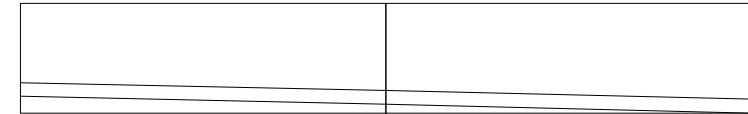
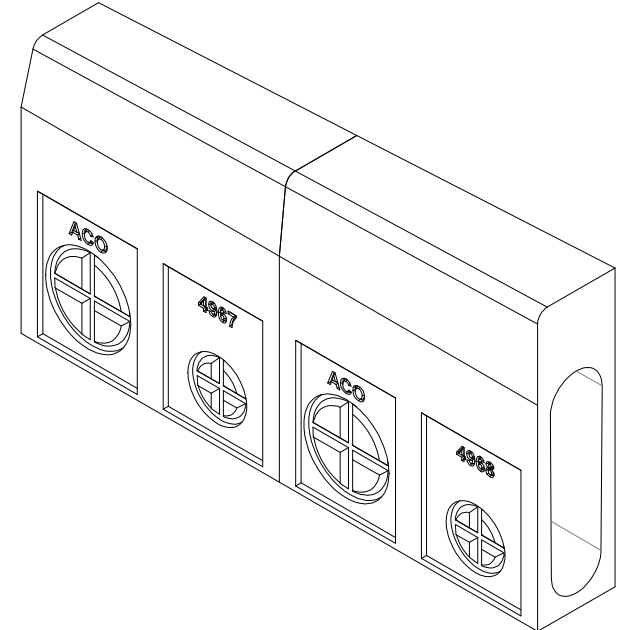
B

C


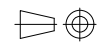
D

E

F



NOTES:
 * DIMENSIONS ARE FOR INDICATION ONLY AND MAY VARY DUE TO PART MANUFACTURING TOLERANCES AND INSTALLATION DETAILS

Version	Date	Description	Name
 ACO Technologies plc	ACO Business Park Hitchin Road Shefford Bedfordshire SG17 5TE, UK Tel: 01462 816666 www.aco.co.uk	Drawing Number: E1-M01-112-1	Part Number: 4965 Revision: A
		Title: KerbDrain 480 BUS STOP TRANSITION UNIT LEFT HAND SIDE, 1m	
Created by: AJ	Released by: AJ	Projection: ISO-A 	Units: mm Format: A3
Created at: 16.7.2015	Released at: 16.7.2015	Replacement for:	Protection note: DIN ISO 16016 Scale: 1:10
Information contained in this drawing is copyright property of ACO Technologies plc. Any reproduction in part or whole without written permission of ACO Technologies plc is prohibited			Sheet: 1 of 1

1 2 3 4 5 6