

1 2 3 4 5 6 7 8

A

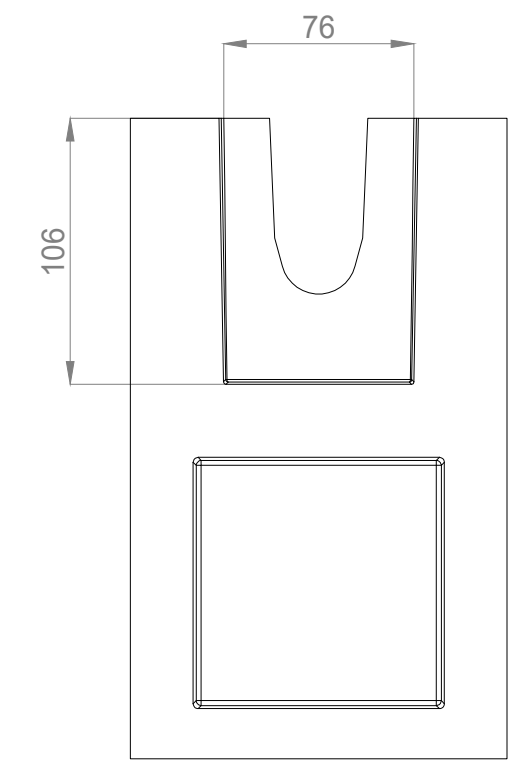
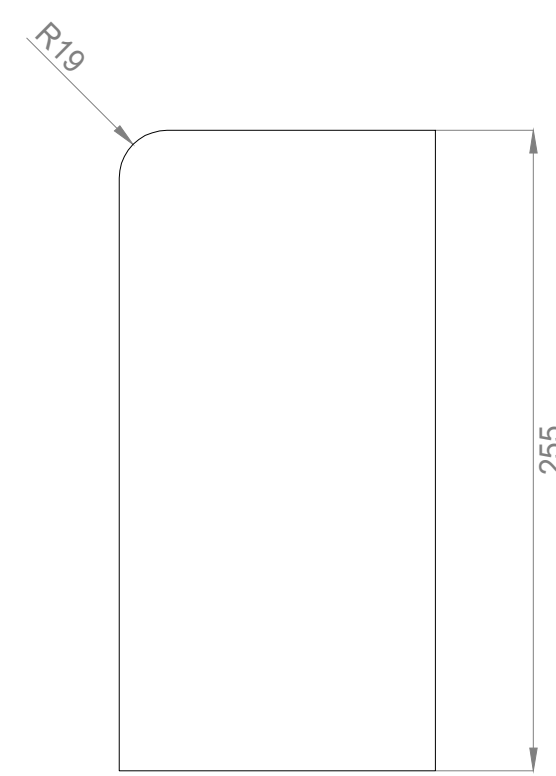
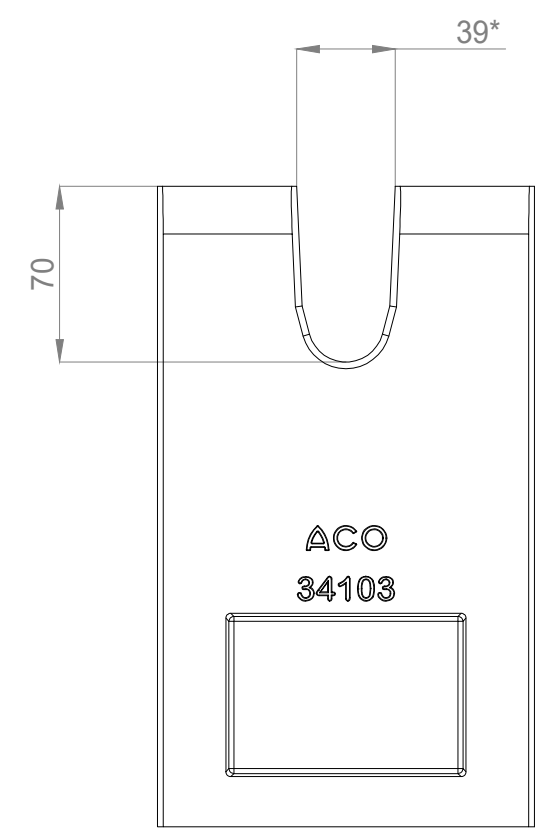
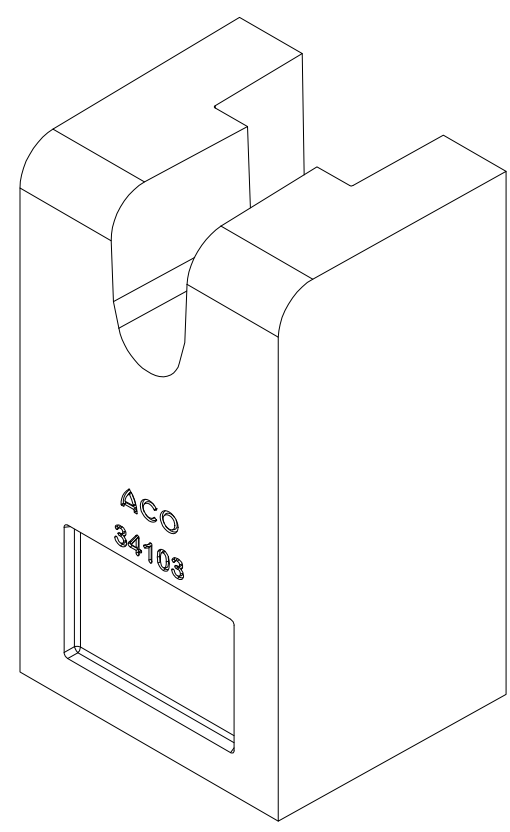
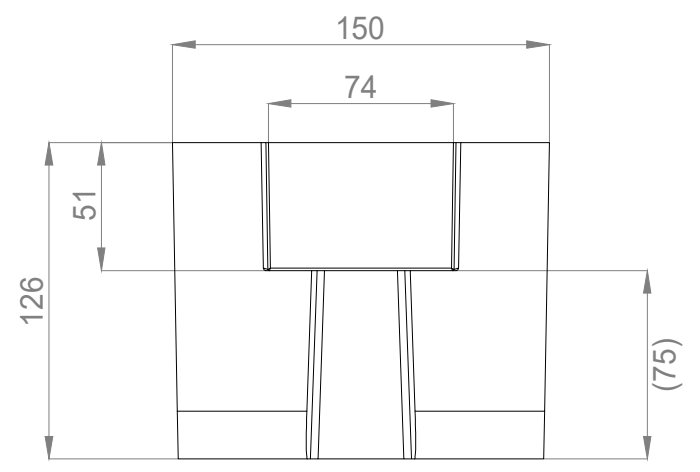
B

C


D

E

F



NOTES:
 DIMENSIONS ARE FOR INDICATION ONLY AND MAY VARY DUE TO PART
 MANUFACTURING TOLERANCES AND INSTALLATION DETAILS
 * CLEAR OPENING

3	18/02/2026	CHANGES MADE TO PART, REFLECTED IN DRAWINGS	JD	AQ
Issue	Date	Description	Created	Approved
 ACO Technologies plc ACO Business Park Hitchin Road Shefford Bedfordshire SG17 5TE, UK Tel: 01462 816666 www.aco.co.uk		Drawing Number: E1-M01-799-1 Title: EV CHANNEL BULLNOSE, END CAP	Part Number: 34103	
Created by: JD	Created at: 13/10/2025	Projection: ISO-A	Units: mm	Format: A3
Protection note: DIN ISO 16016		Information contained in this drawing is copyright property of ACO Technologies plc. Any reproduction in part or whole without written permission of ACO Technologies plc is prohibited		Scale: 1:3
				Sheet: 1 of 1

1 2 3 4 5 6 7 8

A

B

C

D

E

F