

ACO Q-Flap Valve HD

DATA SHEET

ACO Q-Flap Valve HD is a non-return valve, typically installed above the waterline in surface water or sewage systems, as well as for emergency and flood protection applications. It allows flow in one direction only, preventing backflow, and is suitable for free-flow (gravity) conditions across a wide range of environments.

The valve body is manufactured from high-quality HDPE, offering low weight and excellent chemical resistance. It is fitted with SS316L stainless steel hinge pins and an additional ballast weight to prevent the flap door from floating. Larger sizes also include SS316L reinforcement profiles.

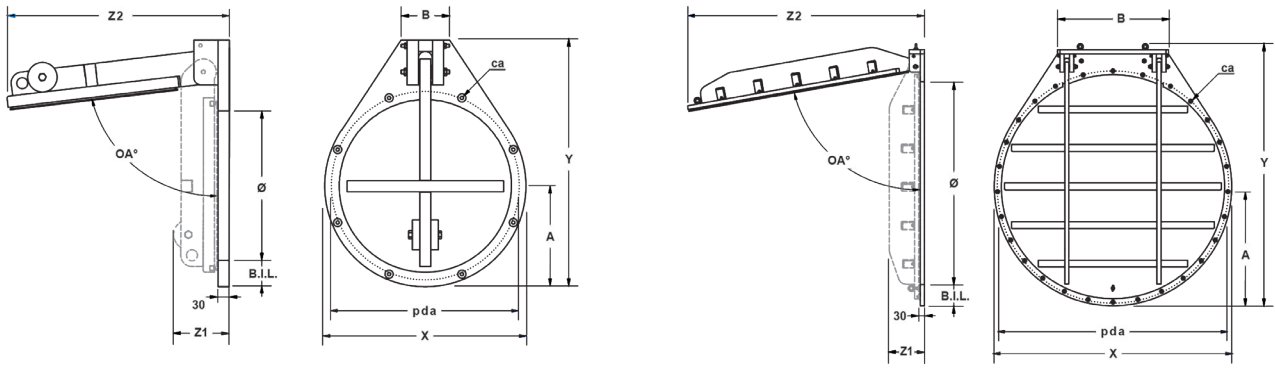
Watertight closure on the seat is achieved using a special EPDM lip seal. This seal is designed to withstand:

- A 1 metre water column above the culvert for long-duration loading (up to 50 years), and
- A 5 metre water column from the bottom invert for short-duration loading (up to 72 hours), without visible deformation. The valve remains watertight in the closed (on-seating) position.

The ACO Q-Flap Valve HD is suitable for wall mounting, as standard. On request alternative connections are available, including spigot ends and flanged connections.

Benefits

- Made of durable material, HDPE and SS316L
- Light weight, easy to install
- Custom designs available such as square, rectangular or egg shaped
- Design life of 50 years
- Low maintenance
- Fast opening moment, no accumulation of dirt in pipe
- For sizes Ø500mm and above, the flap valve will be equipped with two hinge systems
- Sits perfectly flush against the frame, by means of special designed sleeve in hinge frame
- Opening angle is limited, so valve can't remain open.
- High UV protection
- Easy replaceable lip seal



Product Code	Description	Ø	BIL	Length X	Depth Y	Width Z1	Width Z2	A	B	Opening angle	PDA	Fixing Kit Req.	Approx. weight
		[mm]	[mm]	[mm]	[mm]	[mm]	[mm]	[mm]	[mm]		[mm]		[kg]
ACO Q-Flap Valve HD													
34650	ACO Q-Flap Valve HD 110mm	110	70	250	370	130	+/-310	126	130	+/-78°	220	34668	4
34651	ACO Q-Flap Valve HD 125mm	125	88	300	420	130	+/-360	150	130	+/-78°	270	34669	5
34652	ACO Q-Flap Valve HD 160mm	160	70	300	420	130	+/-360	150	130	+/-78°	270	34669	5
34653	ACO Q-Flap Valve HD 200mm	200	70	340	460	130	+/-400	170	130	+/-78°	310	34670	6
34654	ACO Q-Flap Valve HD 250mm	250	70	390	510	130	+/-440	195	130	+/-78°	360	34670	7
34655	ACO Q-Flap Valve HD 300mm	300	70	440	560	130	+/-500	220	130	+/-78°	410	34670	8
34656	ACO Q-Flap Valve HD 400mm	400	70	540	660	150	+/-595	270	130	+/-78°	510	34671	13
34657	ACO Q-Flap Valve HD 500mm	500	75	650	745	150	+/-680	325	378	+/-78°	620	34672	18
34658	ACO Q-Flap Valve HD 600mm	600	75	750	845	150	+/-775	375	378	+/-78°	720	34673	25
34659	ACO Q-Flap Valve HD 700mm	700	75	850	965	160	+/-890	425	398	+/-78°	820	34674	32
34660	ACO Q-Flap Valve HD 800mm	800	75	950	1065	210	+/-995	475	418	+/-78°	920	34675	43
34661	ACO Q-Flap Valve HD 900mm	900	75	1050	1165	200	+/-1085	525	438	+/-78°	1020	34676	53
34662	ACO Q-Flap Valve HD 1000mm	1000	75	1150	1270	230	+/-1180	575	458	+/-80°	1120	34677	68
34663	ACO Q-Flap Valve HD 1100mm	1100	100	1300	1470	230	+/-1295	650	605	+/-80°	1250	34678	83
34664	ACO Q-Flap Valve HD 1200mm	1200	100	1400	1570	230	+/-1385	700	645	+/-80°	1350	34679	108
34665	ACO Q-Flap Valve HD 1300mm	1300	100	1500	1660	230	+/-1475	750	695	+/-80°	1450	34680	111
34666	ACO Q-Flap Valve HD 1400mm	1400	100	1600	1760	230	+/-1565	800	745	+/-80°	1550	34680	126
34667	ACO Q-Flap Valve HD 1500mm	1500	100	1700	1880	250	+/-1695	850	795	+/-80°	1650	34681	140

Larger sizes available on request.

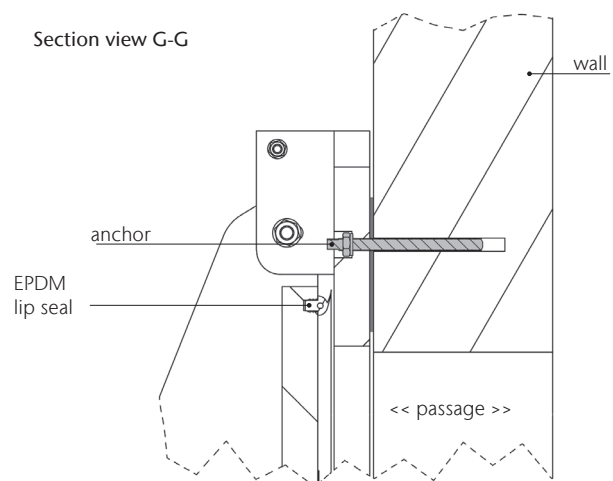
Other mounting options

As standard the ACO Q-Flap Valve HD accepts flat wall mounting. The below mounting options are available on request.

- Wall mounting with an angle of 10°
- Flange connection
- Spigot end for connecting with socket/coupling) or to be inserted in existing pipe
- Minimum opening moments of the flap valve can be adjusted

Installation

The flap valve shall be mounted perpendicularly and free of tension on a flat wall. Mounting has to be done with stainless steel A4 fixing anchors. As per our installation guidance available at www.aco.co.uk/products/Q-Flap-Valve



ACO Water Management Contacts:

Sales: customersupport@aco.co.uk

Technical: technical@aco.co.uk

Tel: 01462 816666

www.aco.co.uk

ACO. we care for water

