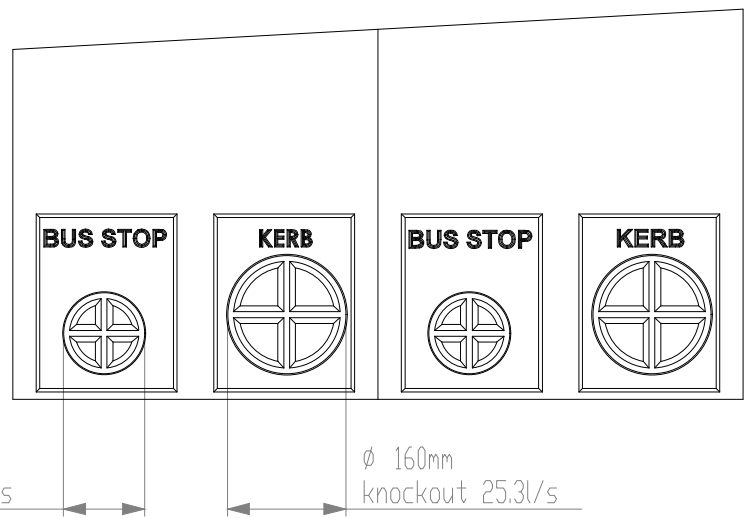
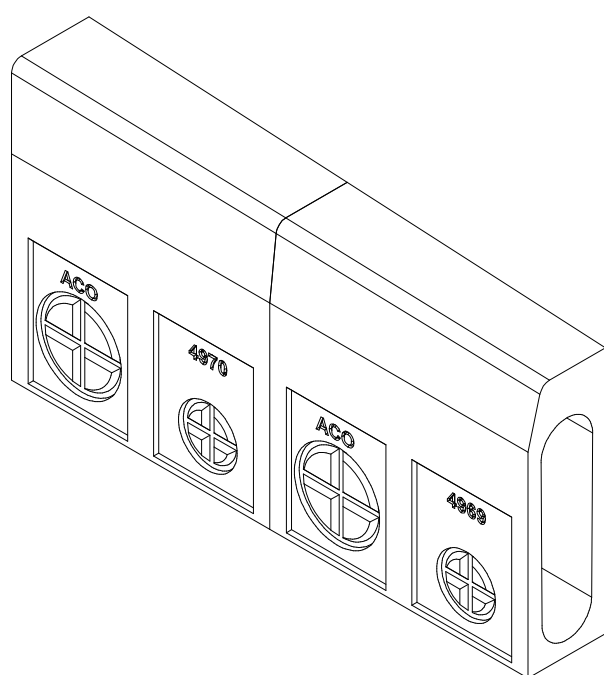
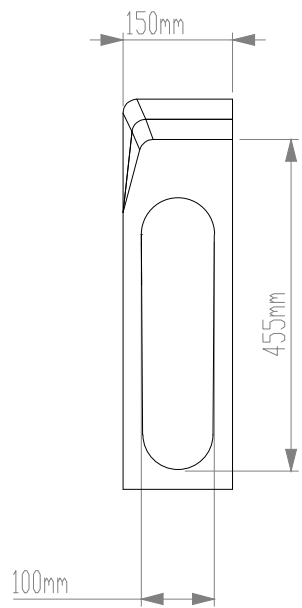
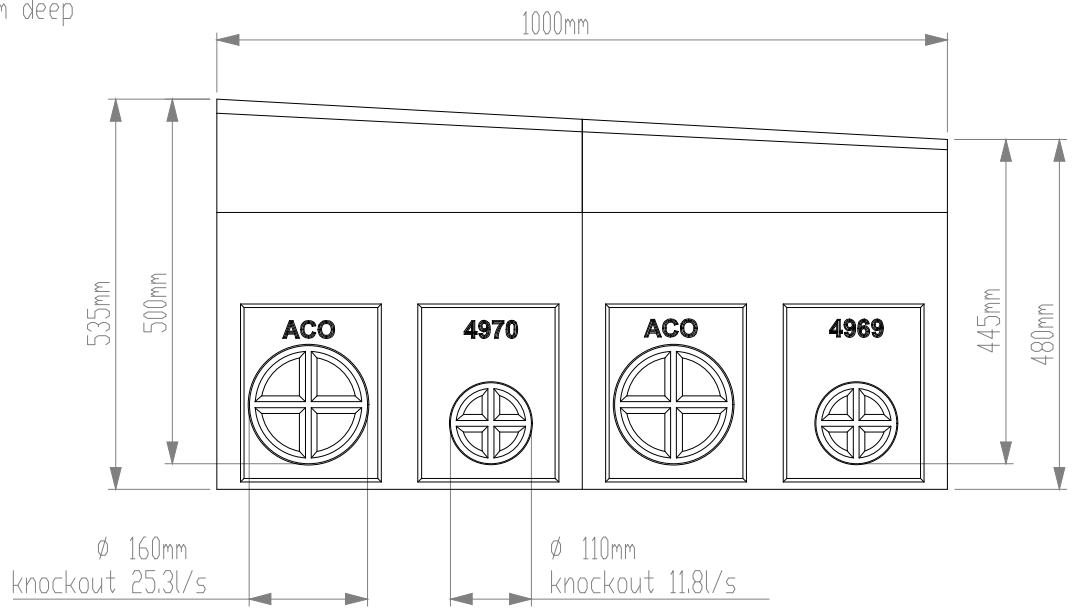
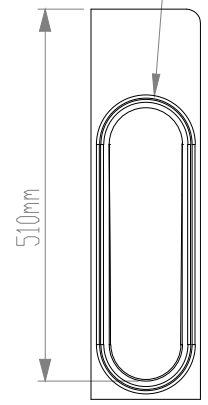

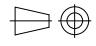


Sealant groove
10 x 5mm deep



NOTES:
• DIMENSIONS ARE FOR INDICATION ONLY AND MAY VARY DUE TO PART MANUFACTURING TOLERANCES AND INSTALLATION DETAILS

Version	Date	Description	Name
 ACO Technologies plc	ACO Business Park Hitchin Road Shefford Bedfordshire SG17 5TE, UK Tel: 01462 816666 www.aco.co.uk	Drawing Number: E1-M01-113-1	Part Number: 4966
		Title: KerbDrain 480 BUS STOP TRANSITION UNIT RIGHT HAND SIDE, 1m	
Created by: AJ	Released by: AJ	Projection: ISO-A 	Units: mm
Created at: 16.7.2015	Released at: 16.7.2015		Protection note: DIN ISO 16016
Replacement for:	Replaced by:	Information contained in this drawing is copyright property of ACO Technologies plc. Any reproduction in part or whole without written permission of ACO Technologies plc is prohibited	
			Format: A3
			Scale: 1:10
			Sheet: 1 of 1