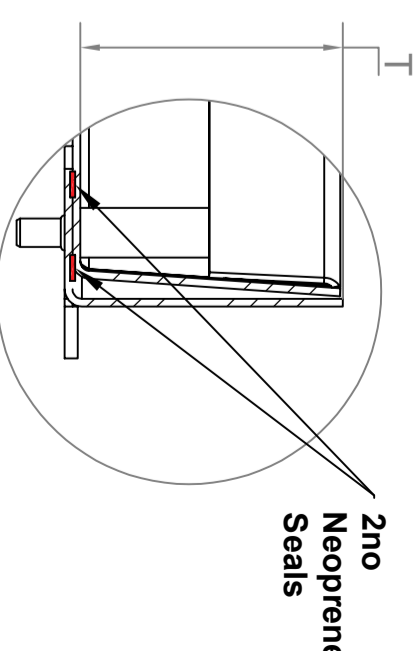
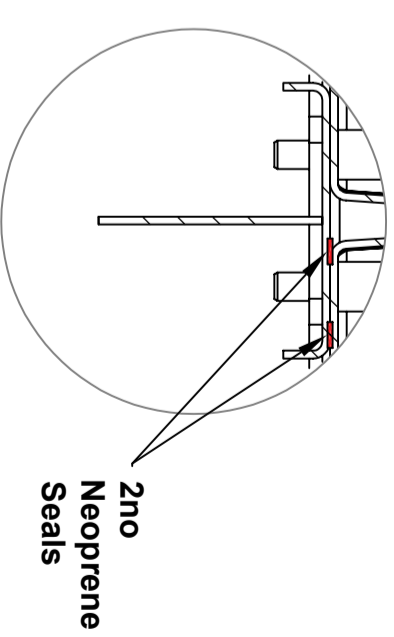
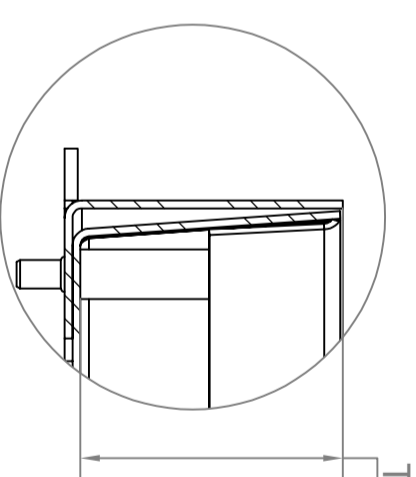
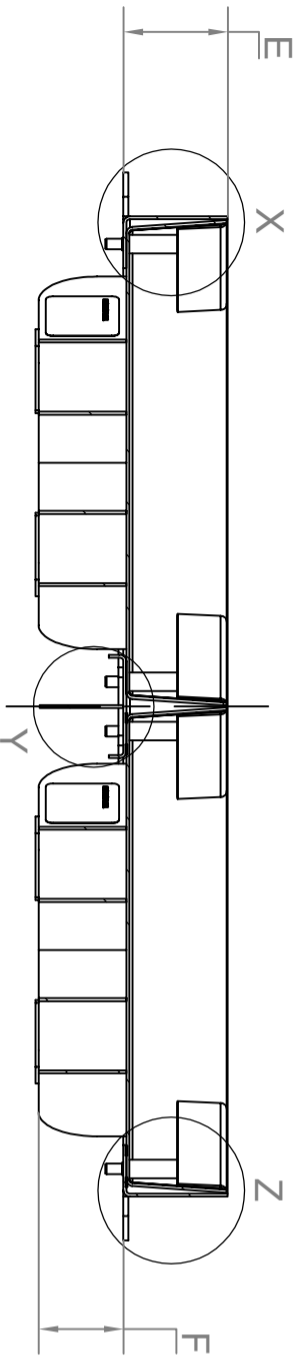
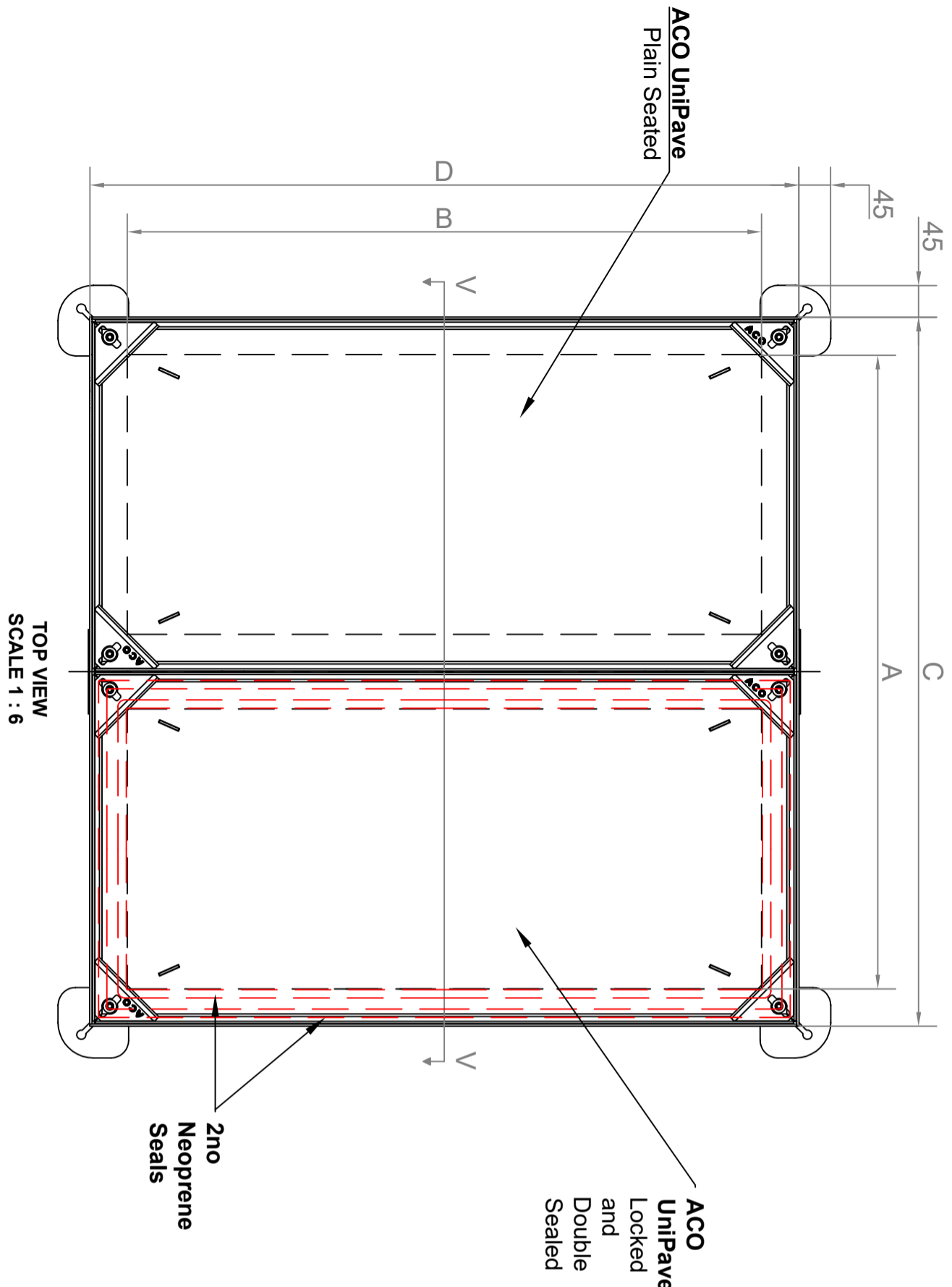


ACO Unipave™ GS – Galvanised steel recessed access covers – Plain seated									
Product	Clear Opening (AxB)	Overall Frame Size (CxD)	Overall Frame Height (E)	Cover Drop Depth (F)	Internal Tray Depth (T)	Weight (kg)	FACTA class		
41559	900 x 900	1006 x 1006	107	100	100	74	B		
41560	1200 x 600	1306 x 706	107	100	100	65	B		
41561	1220 x 675	1326 x 781	107	100	100	71	B		
41571	900 x 900	1010 x 1010	111	100	100	132	D		
41572	1200 x 600	1310 x 710	111	100	100	118	D		
41573	1220 x 675	1330 x 785	111	100	100	127	D		
ACO Unipave™ GS – Galvanised steel recessed access covers – Locked and double sealed									
Product	Clear Opening (AxB)	Overall Frame Size (CxD)	Overall Frame Height (E)	Cover Drop Depth (F)	Internal Tray Depth (T)	Weight (kg)	FACTA class		
41583	900 x 900	1006 x 1006	107	100	100	74.2	B		
41584	1200 x 600	1306 x 706	107	100	100	65.2	B		
41585	1220 x 675	1326 x 781	107	100	100	71.2	B		
41595	900 x 900	1010 x 1010	111	100	100	132.2	D		
41596	1200 x 600	1310 x 710	111	100	100	118.2	D		
41597	1220 x 675	1330 x 785	111	100	100	127.2	D		



A	18/06/2025	First Issue		SHS	RJK
Issue	Date	Description		Created	Approved
			ACO Business Centre Caxton Road Bedford Bedfordshire MK41 0LF, UK Tel: 01462 810400 www.aco.co.uk		
Created By: SHS		Created at: 18/06/2025		Projection: ISO-E	
Protection Note : ISO 16016		Drawing Number: E1-M18-50012-3		Units: mm	
		Title: ACO Unipave MULTI ACCESS COVER		Format: A3	
		Part Number: SEE TABLE		Scale: 1	
Information contained in this drawing is copyright property of ACO Technologies plc. Any reproduction in part or whole without written permission of ACO Technologies plc is prohibited.					