

ACO Q-Flap Valve SD

DATA SHEET

The ACO Q-Flap Valve SD is typically installed above the waterline in surface water and wastewater networks, as well as for emergency and flood protection applications. It regulates flow in one direction and prevents backflow.

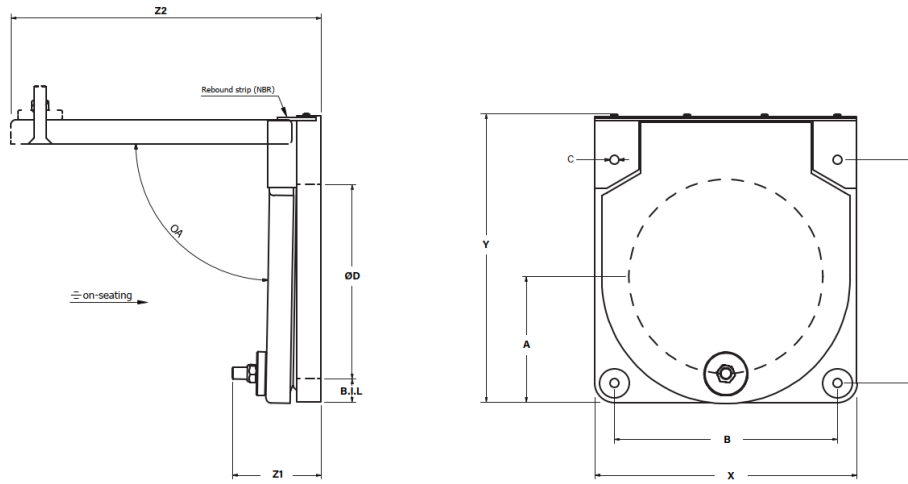
Suitable for use in virtually all free-flow, gravity-fed environments, these flap valves are manufactured from high-quality HDPE. This lightweight material offers excellent chemical resistance. Each valve is fitted with SS316L hinge pins and an additional ballast weight to prevent the door from floating.

On-seating sealing is achieved using a special EPDM lip seal, designed to withstand a 1m water head above the culvert for long-duration conditions and up to a 5 m water head from the bottom invert for short-duration conditions. In the on-seating position, the flap valves are watertight.

The standard Q-Flap Valve SD is designed and supplied for wall mounting. When requested the valves can also be supplied with a spigot end or with flanged connections.

Benefits

- Made of durable material, HDPE and SS316L
- Light weight, easy to install
- Custom designs available such as square, rectangular or egg shaped
- Maintenance free
- Fast opening moment, no accumulation of dirt in pipe
- Sits perfectly flush against the frame, by means of special designed sleeve in hinge frame
- Opening angle is limited, so it can't remain open to stop backflow
- High UV protection
- Easy replaceable lip seal



Product Code	Description	Ø	BIL	Length X	Depth Y	Width Z1	Width Z2	A	Opening angle	B	Fixing Kit Req.	Approx. weight
		[mm]	[mm]	[mm]	[mm]	[mm]	[mm]	[mm]		[mm]		[kg]
ACO Q-Flap Valve SD												
34682	ACO Q-Flap Valve SD 110mm	110	30	190	215	71	241	85	± 89°	150 x 150	34690	2
34683	ACO Q-Flap Valve SD 125mm	125	30	210	235	76	257	93	± 89°	170 x 170	34690	3
34684	ACO Q-Flap Valve SD 150mm	150	30	220	247	76	269	105	± 89°	180 x 180	34690	3
34685	ACO Q-Flap Valve SD 200mm	200	30	270	297	91	322	130	± 89°	230 x 230	34690	4
34686	ACO Q-Flap Valve SD 250mm	250	30	320	347	92	372	155	± 89°	280 x 280	34690	5
34687	ACO Q-Flap Valve SD 300mm	300	30	370	397	92	421	180	± 89°	330 x 330	34690	6
34688	ACO Q-Flap Valve SD 400mm	400	30	460	487	96	512	230	± 89°	420 x 420	34690	9
34689	ACO Q-Flap Valve SD 500mm	500	30	560	587	113	612	280	± 89°	520 x 520	34690	12

Other mounting options

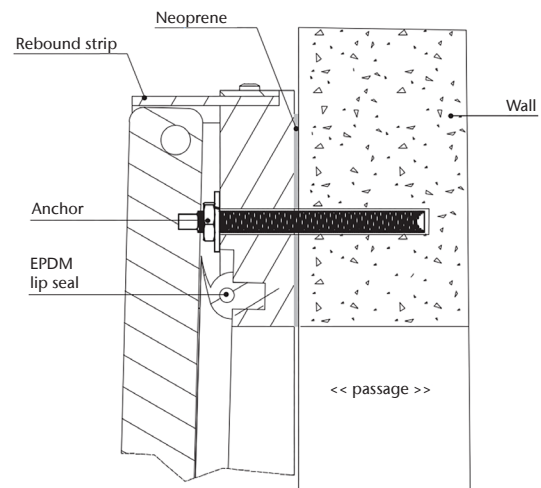
The ACO Q-Flap Valve SD, as standard, is designed for flat wall mounting. On request we can also offer the below:

- Wall mounting with an angle of 10°
- Flange connection
- Spigot end for connecting with socket/coupling or to be inserted in existing pipe
- Opening moments of the flap valve can be adjusted on request.

For further information please contact: uk-swc@aco.co.uk

Installation

The flap valve shall be mounted perpendicularly and free of tension to a flat wall. By preference mounting has to be done with stainless steel A4 fixing anchors. Please see our installation instructions for more detail.



ACO Water Management Contacts:

Sales: customersupport@aco.co.uk

Technical: technical@aco.co.uk

Tel: 01462 816666

www.aco.co.uk

ACO. we care for water

