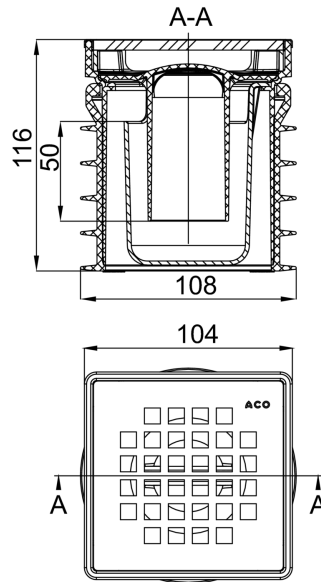



Passino bathroom gullies

Product information for the product group

- Material:
 - Plastic (gully element)
 - Stainless steel (frame and grating)
- Load class after grate design: K3 or L15
- Spigot variants: DN 100/ DN 125
- Socket inclination: 90°
- Discharge value
 - 0.83l/s (with 20 mm build-up according to DIN EN 1253-1)
- Odour trap: two-piece, removable
- Assembly: ready to install
- Height-adjustable: depending on the floor structure



Item Technical Data 2091445

	Nominal width		Frame	Grating	Description
			[mm]	[mm]	[l/s]
	DN 100	Without lateral inlet	■ Stainless steel	■ Quadrato	■ Socket inclination: 0° ■ Flow rate: 0.83 ■ 50 mm
			■ 104 x 104	■ Electropolished stainless steel ■ 95 x 95 ■ L 15 ■ Placed loosely	