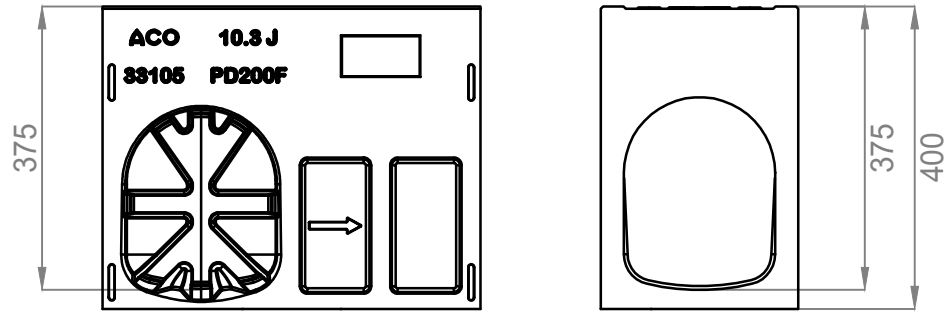
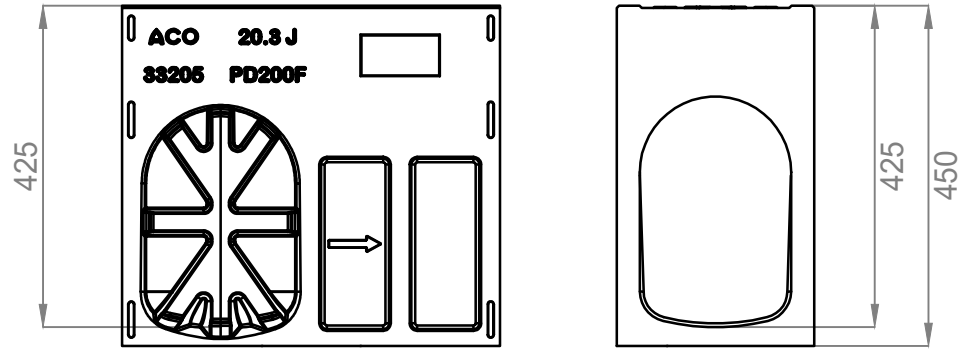


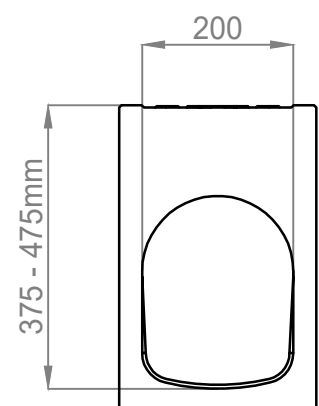
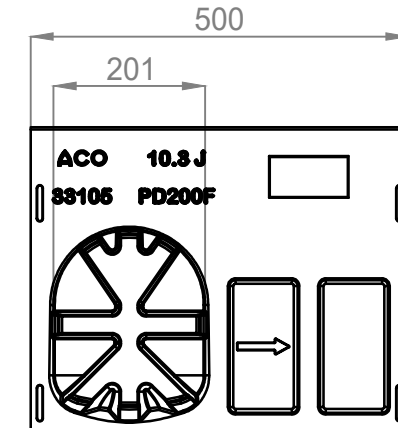
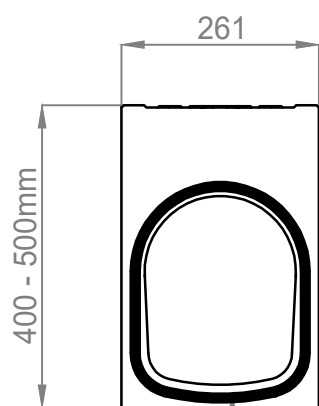
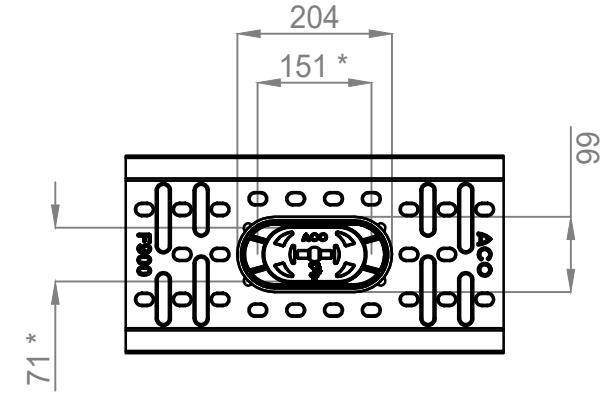
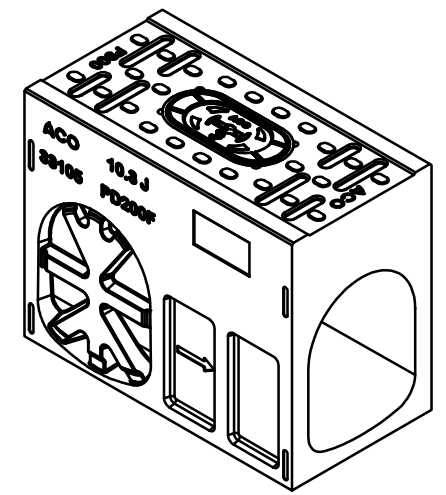
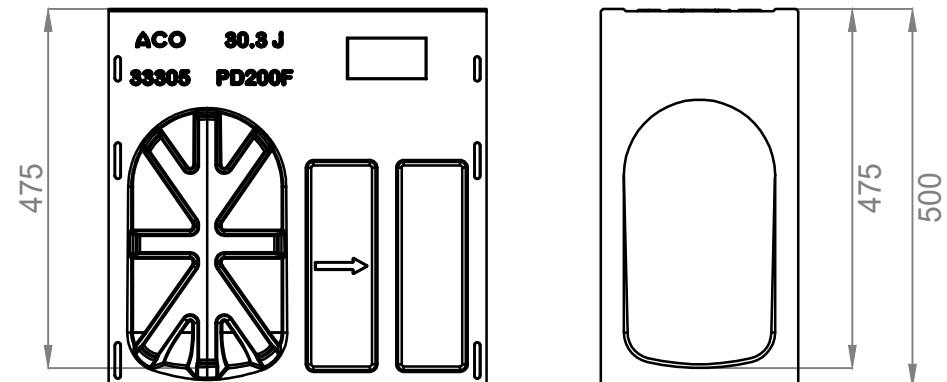
PART NO. 33105
ROADDRAIN PD200F 10.3 J ACCESS CHANNEL



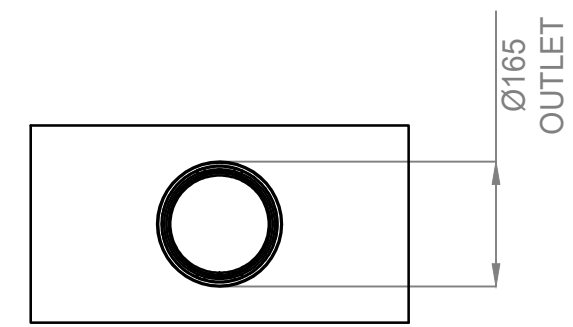
PART NO. 33205
ROADDRAIN PD200F 20.3 J ACCESS CHANNEL




PART NO. 33305
ROADDRAIN PD200F 30.3 J ACCESS CHANNEL



SEALANT GROOVE
(10 x 3mm)



NOTES:
DIMENSIONS ARE FOR INDICATION ONLY AND MAY VARY DUE TO PART
MANUFACTURING TOLERANCES AND INSTALLATION DETAILS
* CLEAR OPENING

A	20/08/2025	RELEASED FOR PRODUCTION	LB	LB
Issue	Date	Description	Created	Approved
 ACO Technologies plc		ACO Business Park Hitchin Road Shefford Bedfordshire SG17 5TE, UK Tel: 01462 816666 www.aco.co.uk	Drawing Number: E1-M01-790-1 Title: ROADDRAIN PD200F JUNCTION ACCESS CHANNELS	
Created by: JD Created at: 18/08/2025		Projection: ISO-A	Units: mm	Format: A3
Protection note: DIN ISO 16016		Information contained in this drawing is copyright property of ACO Technologies plc. Any reproduction in part or whole without written permission of ACO Technologies plc is prohibited		Scale: 1:10 Sheet: 1 of 1