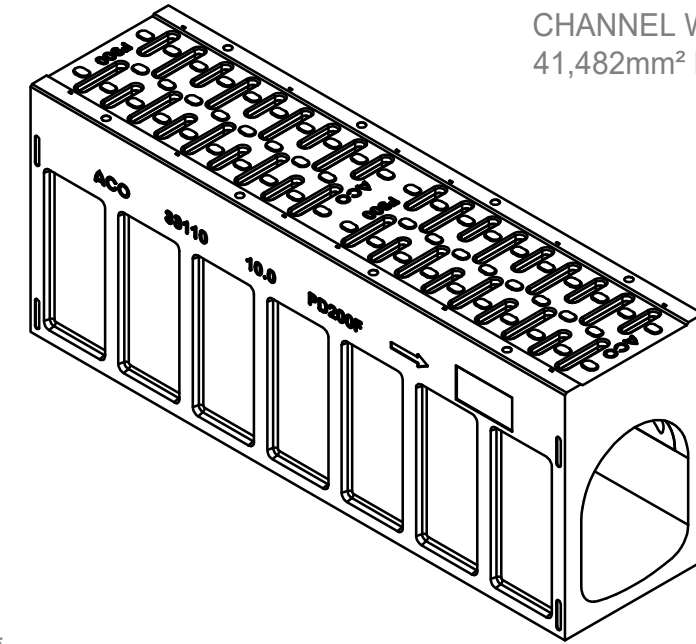
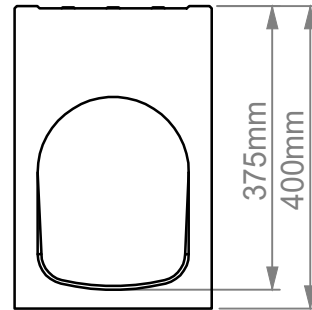
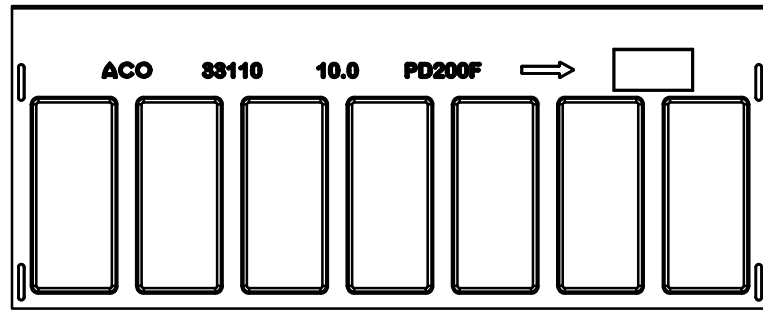
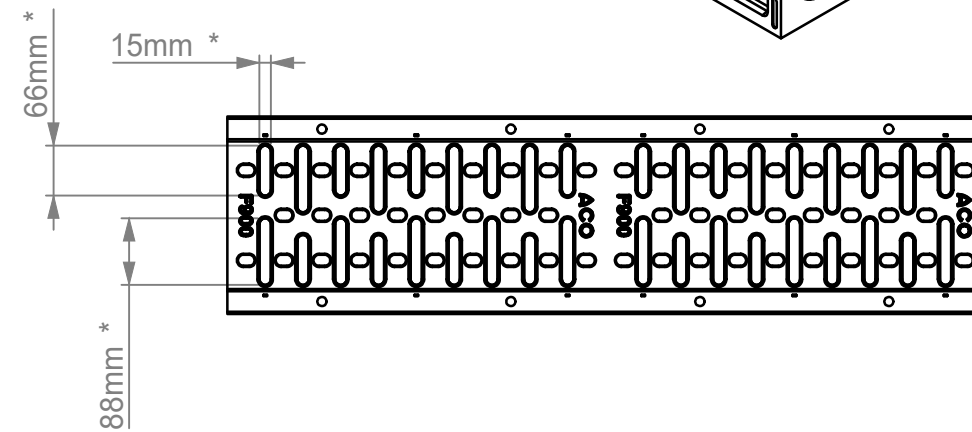
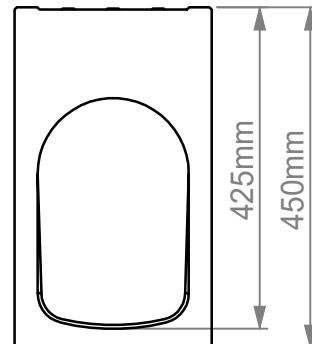
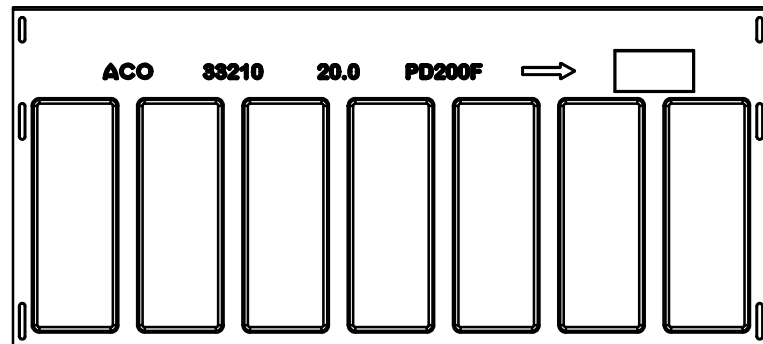


PART NO. 33110
ROADDRAIN PD200F 10.0 1M CHANNEL

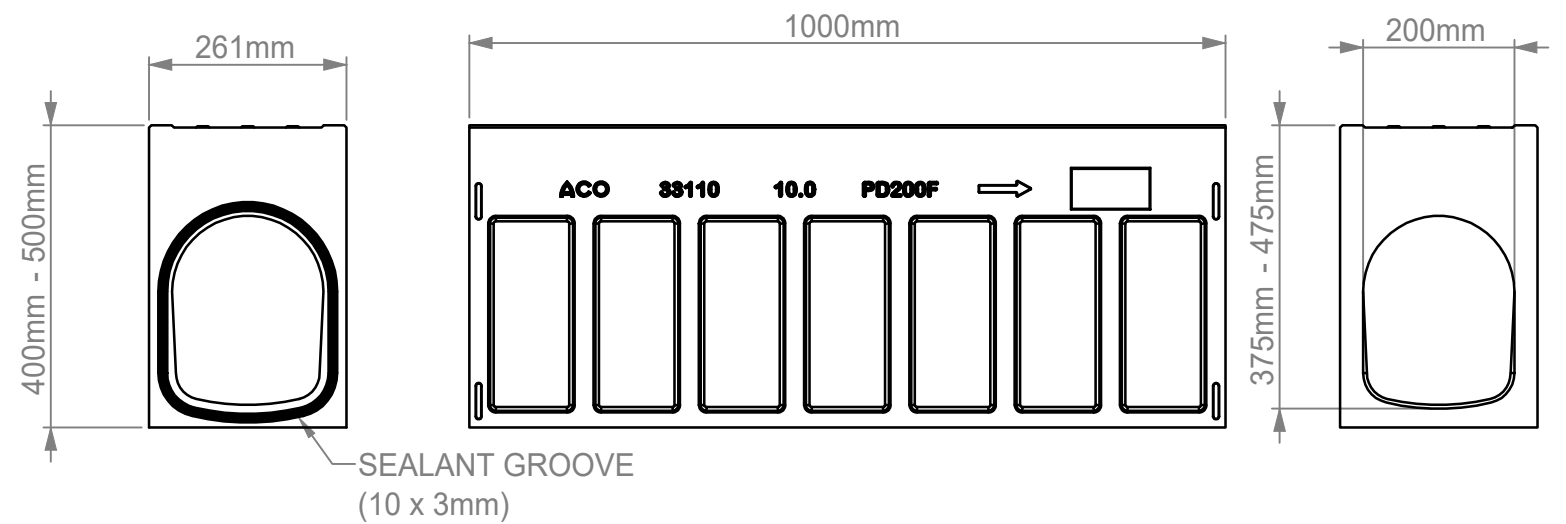
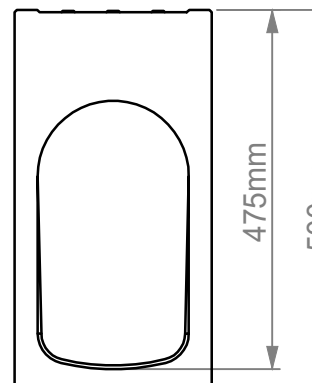
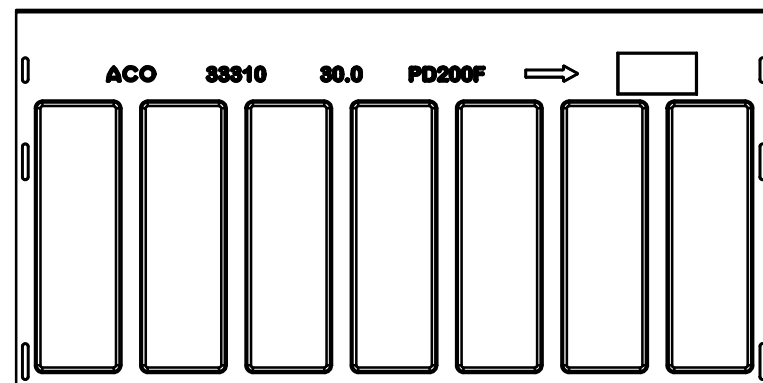


CHANNEL WATER INTAKE AREA:
41,482mm² PER METER


PART NO. 33210
ROADDRAIN PD200F 20.0 1M CHANNEL



PART NO. 33310
ROADDRAIN PD200F 30.0 1M CHANNEL



NOTES:
DIMENSIONS ARE FOR INDICATION ONLY AND MAY VARY DUE TO PART
* MANUFACTURING TOLERANCES AND INSTALLATION DETAILS
* CLEAR OPENING

A	20/08/2025	RELEASED FOR PRODUCTION	LB	LB
Issue	Date	Description	Created	Approved
		ACO Business Park Hitchin Road Shefford Bedfordshire SG17 5TE, UK Tel: 01462 816666 www.aco.co.uk	Drawing Number: E1-M01-789-1 Part 33110, 33210, Number: 33310	
Created by: JD Protection note: DIN ISO 16016		Created at: 18/08/2025 Projection: ISO-A	Units: mm Format: A3	Scale: 1:10 Sheet: 1 of 1
Title: ROADRAIN PD200F 1M CHANNEL RANGE				