

1 2 3 4 5 6 7 8

A

B

C

D

E

F

A

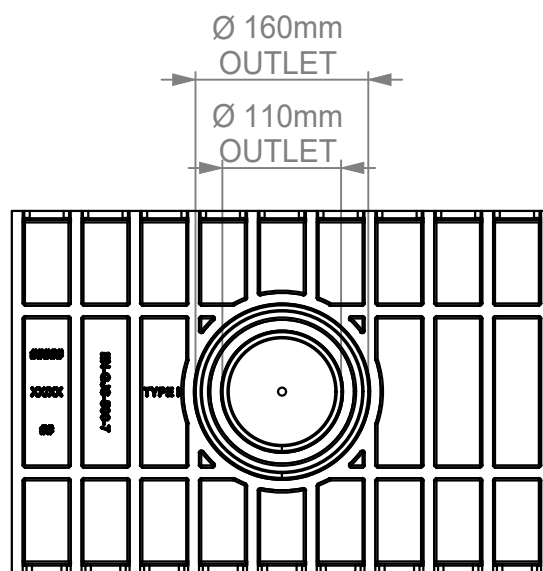
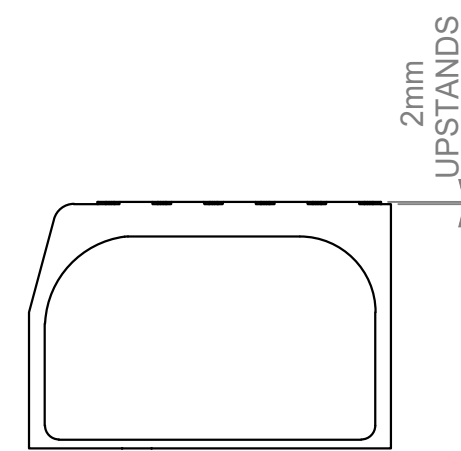
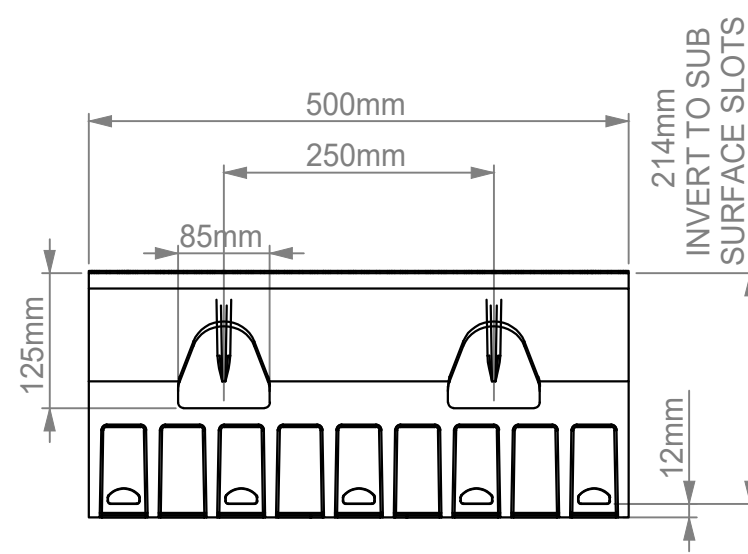
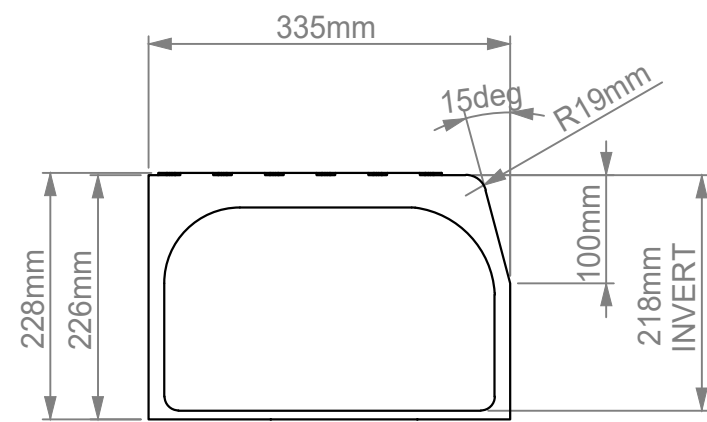
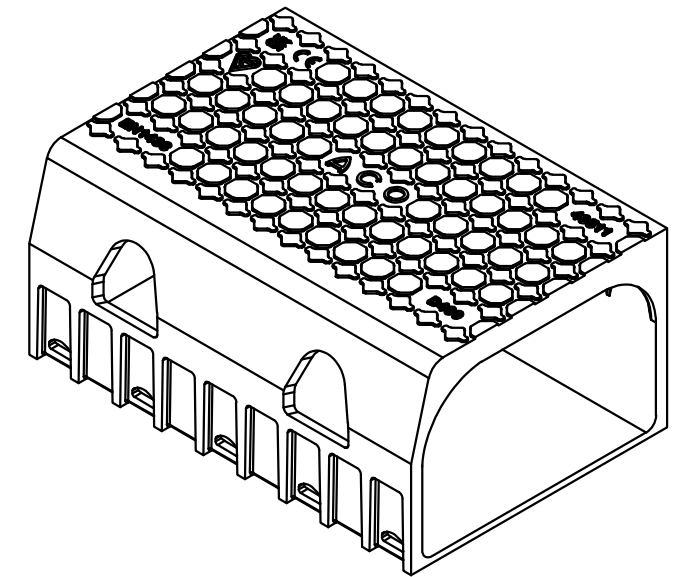
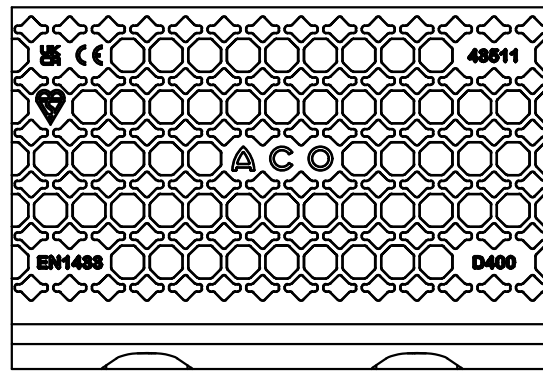
B

C

D

E

F



NOTES:
 * DIMENSIONS ARE FOR INDICATION ONLY AND MAY VARY DUE TO PART
 * MANUFACTURING TOLERANCES AND INSTALLATION DETAILS
 * CLEAR OPENING

1	16/08/2022	INITIAL ISSUE	LB	LB
Issue	Date	Description	Created	Approved
		ACO Business Park Hitchin Road Shefford Bedfordshire SG17 5TE, UK Tel: 01462 816666 www.aco.co.uk	Drawing Number: E1-M01-674-1 Part Number: 43511	
Title: KERBDRAIN BRIDGEDECK - 360 HB CHANNEL			Format: A3	Scale: 1:7
Created by: LB Created at: 28/07/2022		Projection: ISO-A Units: mm	Information contained in this drawing is copyright property of ACO Technologies plc. Any reproduction in part or whole without written permission of ACO Technologies plc is prohibited.	
Protection note: DIN ISO 16016			Sheet: 1 of 1	

1 2 3 4 5 6 7 8