



## ACO Q-Penstock HD

### DATA SHEET

The ACO Q-Penstock HD is used in surface water, sewage systems, (sewage) water treatment system etc. to (temporarily) block or allow water to pass.

The solution is manufactured from high quality HDPE and is reinforced with 316L stainless steel profiles, offering a lightweight and high chemical resistance solution.

Fitted with a non-rising spindle, the penstock contains a vertically moving door which can block water flow on both sides. Tightening is provided by means of a special EPDM flat/lip shaped rubber profile to withstand 5 metre of water column pressure on both sides, without any visible deformation.

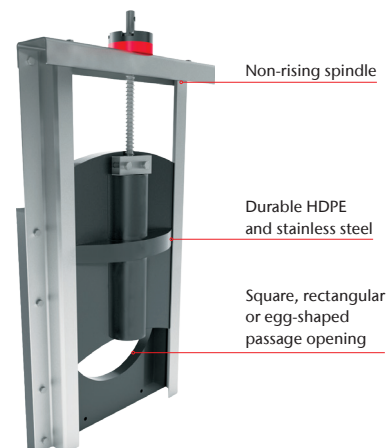
The curved design of the penstock door helps minimise the risk of blockage from contamination. In many cases, the door can cut through debris and still achieve a reliable seal. This design also improves the strength of the door, reducing the risk of leakage.

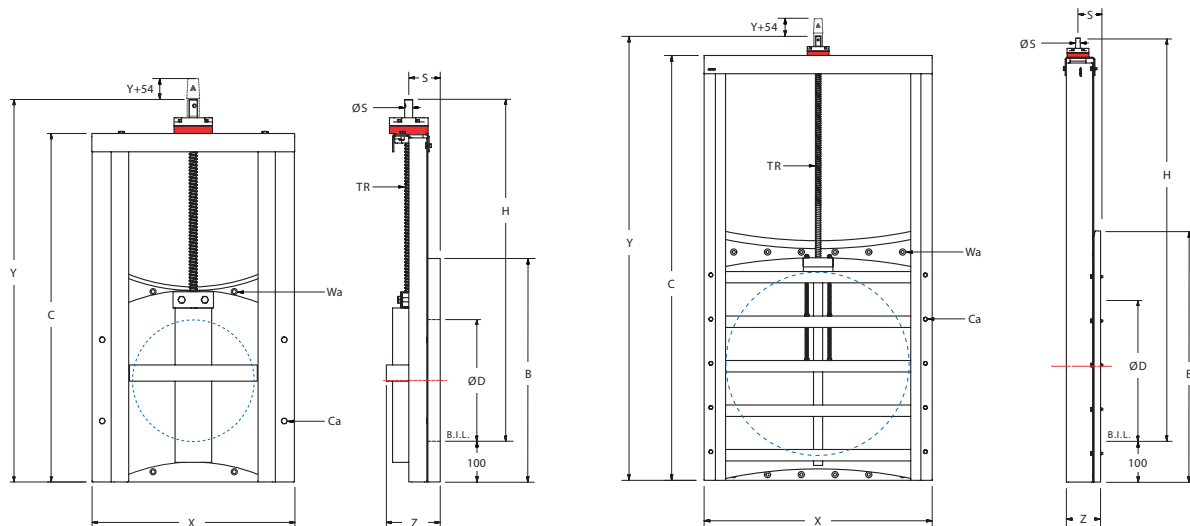
The maximum leakage rate is less than 1% of what is allowed in the standard of the American Water Works Association AWWA C501. Therefore the Q-Penstock complies with BS7775 and DIN-19569-4 class 4.

The standard Q-Penstock HD is only suitable for flat wall mounting as standard. Curved wall installations would require additional guidance.

### Benefits

- Made of durable material, HDPE and SS316L
- Easy to install
- Specially designed bronze nut block in an SS316L housing to withstand higher forces
- Bespoke options available, without high mould costs
- Design life of 50 years
- Low maintenance
- Curved frame plate for less wear of the EPDM seal





Product Code	Description	ØD [mm]	Length X [mm]	Depth Y [mm]	Width Z [mm]	H [mm]	B [mm]	C [mm]	S [mm]	ØS [mm]	Wedge Anchor	Fixing Kit Req:	App. Weight [kg]
<b>Q-Penstock HD</b>													
34691	ACO Q-Penstock HD 110mm	110	400	793	127	639	480	653	79	20	M10x60 (4x)	34710	16
34692	ACO Q-Penstock HD 125mm	125	400	793	127	639	480	653	79	20	M10x60 (4x)	34710	16
34693	ACO Q-Penstock HD 160mm	160	400	793	127	639	480	653	79	20	M10x60 (4x)	34710	17
34694	ACO Q-Penstock HD 200mm	200	400	793	127	639	480	653	79	20	M10x60 (4x)	34710	17
34695	ACO Q-Penstock HD 250mm	250	500	944	134	844	580	858	79	20	M10x60 (4x)	34710	19
34696	ACO Q-Penstock HD 300mm	300	500	944	134	844	580	858	79	20	M10x60 (4x)	34710	19
34697	ACO Q-Penstock HD 400mm	400	600	1144	149	1044	700	1058	79	20	M10x60 (4x)	34710	21
34698	ACO Q-Penstock HD 500mm	500	700	1327	145	1227	800	1241	94	20	M10x60 (8x)	34711	63
34699	ACO Q-Penstock HD 600mm	600	800	1547	145	1447	900	1461	94	20	M10x60 (8x)	34712	72
34700	ACO Q-Penstock HD 700mm	700	900	1747	155	1647	1000	1661	99	20	M10x60 (8x)	34712	98
34701	ACO Q-Penstock HD 800mm	800	1000	1947	155	1847	1100	1861	99	20	M10x60 (12x)	34712	118
34702	ACO Q-Penstock HD 900mm	900	1100	2141	165	2041	1200	2055	101	20	M10x60 (12x)	34713	145
34703	ACO Q-Penstock HD 1000mm	1000	1200	2341	175	2241	1300	2255	103	20	M10x60 (12x)	34714	178
34704	ACO Q-Penstock HD 1100mm	1100	1300	2575	179	2475	1400	2485	108	30	M10x60 (12x)	34715	206
34705	ACO Q-Penstock HD 1200mm	1200	1400	2805	179	2705	1500	2715	108	30	M10x60 (12x)	34716	228
34706	ACO Q-Penstock HD 1250mm	1250	1500	2965	179	2865	1600	2875	108	30	M10x60 (16x)	34717	270
34707	ACO Q-Penstock HD 1300mm	1300	1500	3005	179	2905	1600	2915	108	30	M10x60 (16x)	34717	264
34708	ACO Q-Penstock HD 1400mm	1400	1750	3315	256	3190	1800	3225	118	30	M10x60 (16x)	34717	396
34709	ACO Q-Penstock HD 1500mm	1500	1850	3400	256	3300	1900	3310	122	30	M10x60 (16x)	34717	410

## Additional Options

The ACO Q-Penstock HD is available with the following additional installation options on request:

- Rising spindle situation
- Several manual and electrical operations
- Heavy duty penstocks with higher pressure on request
- Square, rectangular or egg-shaped openings
- Weir penstock with downwards opening
- Curved wall, spigot, socket, or flange mounting also available

For further information please contact: [uk-swc@aco.co.uk](mailto:uk-swc@aco.co.uk)

### ACO Water Management Contacts:

Sales: [customersupport@aco.co.uk](mailto:customersupport@aco.co.uk)

Technical: [technical@aco.co.uk](mailto:technical@aco.co.uk)

Tel: 01462 816666

[www.aco.co.uk](http://www.aco.co.uk)

ACO. we care for water

