

1 2 3 4 5 6 7 8

A

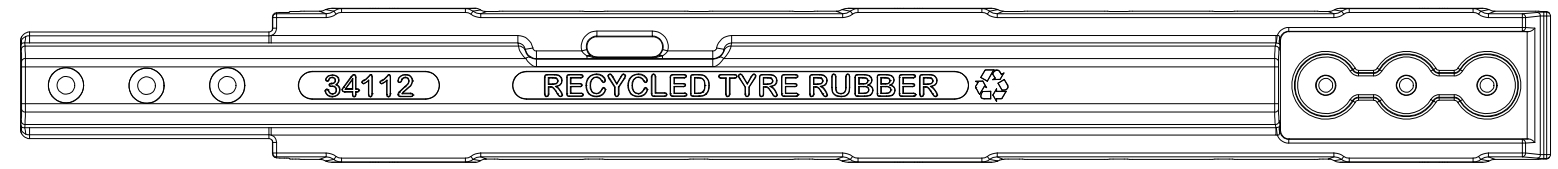
B

C

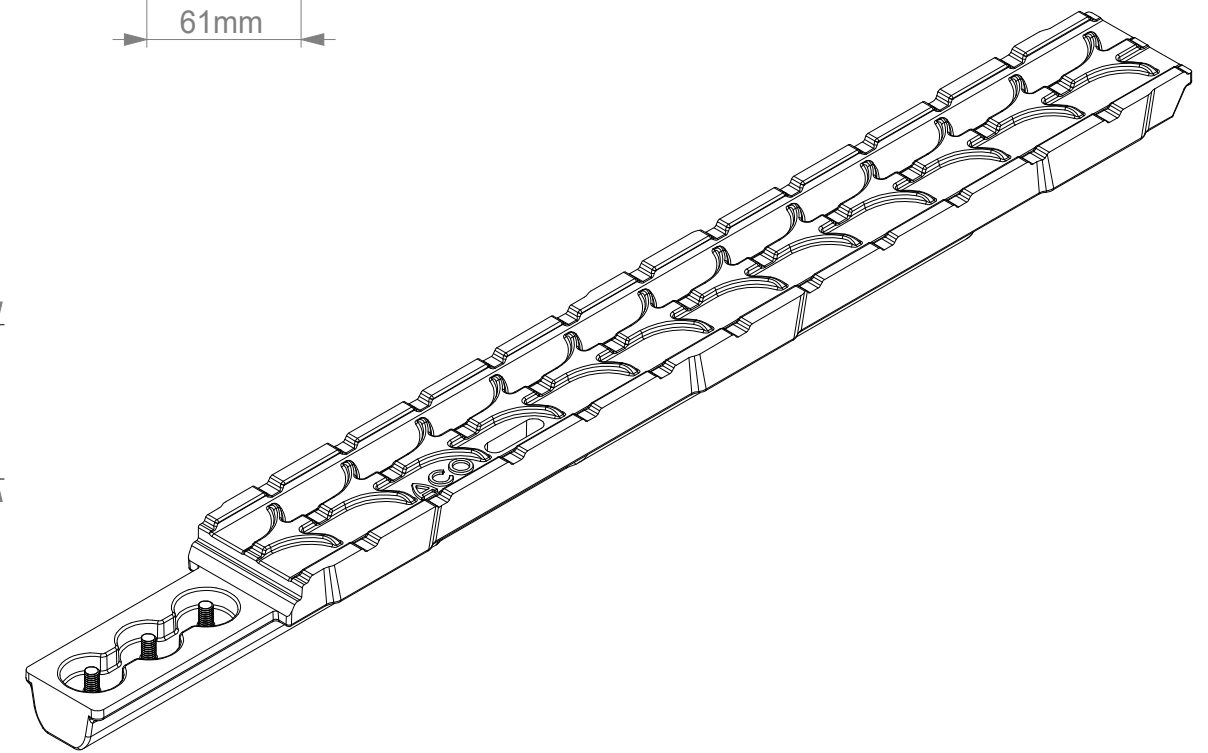
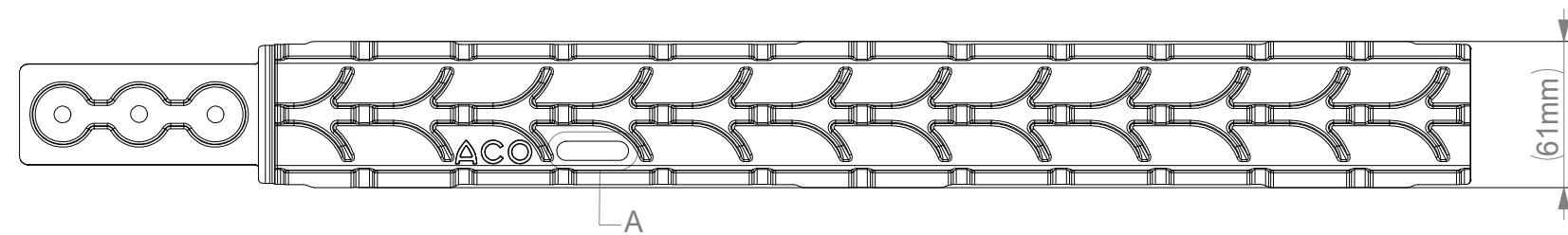
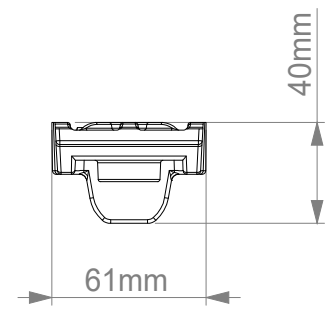
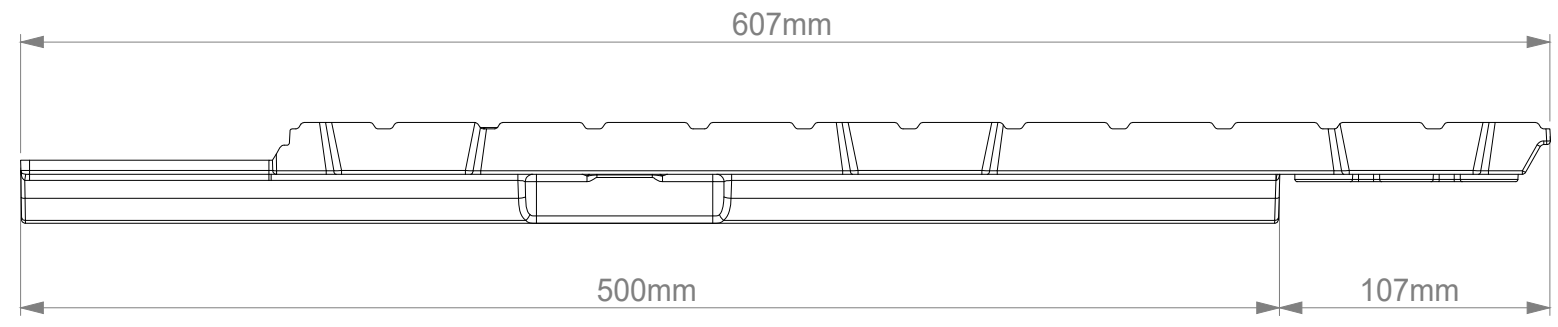
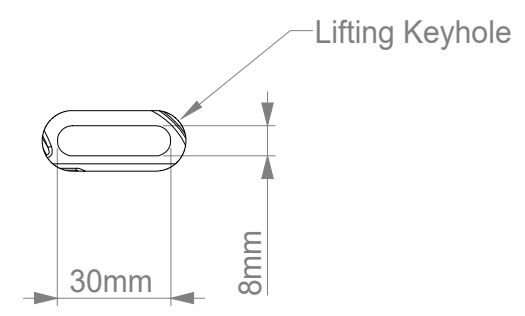
D

E


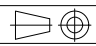
F



DETAIL A  
SCALE 1 : 2



NOTES:  
DIMENSIONS ARE FOR INDICATION ONLY AND MAY VARY DUE TO PART  
MANUFACTURING TOLERANCES AND INSTALLATION DETAILS

| Issue   | Date       | Description                                 | Created   | Approved          |
|---|------------|---|---|-------------------|
| 2   | 18/02/2026 | CHANGES MADE TO PART, REFLECTED IN DRAWINGS | JD  | AQ                |
|  ACO Business Park<br>Hitchin Road<br>Shefford<br>Bedfordshire<br>SG17 5TE, UK<br>Tel: 01462 816666<br>www.aco.co.uk |            |   | Drawing Number: E1-M01-797-1<br>Part Number: 34112  |                   |
| Title: <b>EV POWER CHANNEL COVER COVER AND FIXING ASSEMBLY</b>  |            |   | Format: <b>A3</b>   | Scale: <b>1:3</b> |
| Created by: JD Created at: 13/10/2025<br>Protection note: DIN ISO 16016   |            |   | Projection: ISO-A  Units: mm | Sheet: 1 of 1     |
| Information contained in this drawing is copyright property of ACO Technologies plc. Any reproduction in part or whole without written permission of ACO Technologies plc is prohibited.                  |            |   |   |                   |

1 2 3 4 5 6 7 8