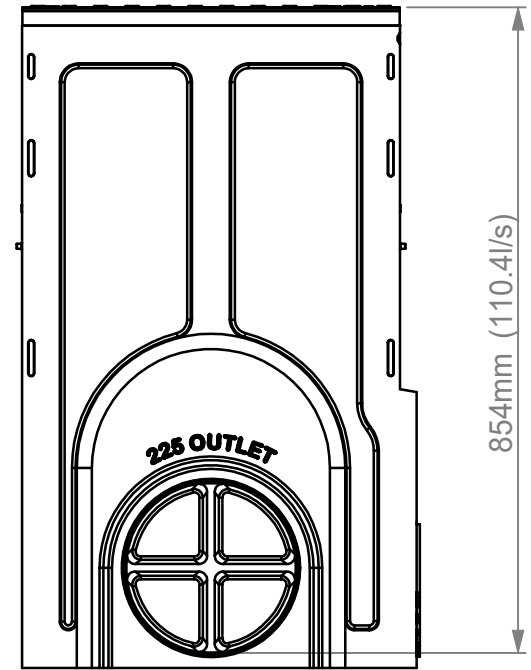
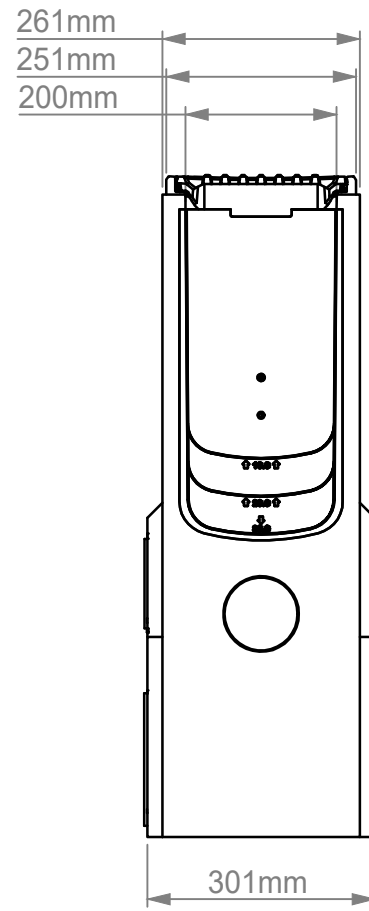
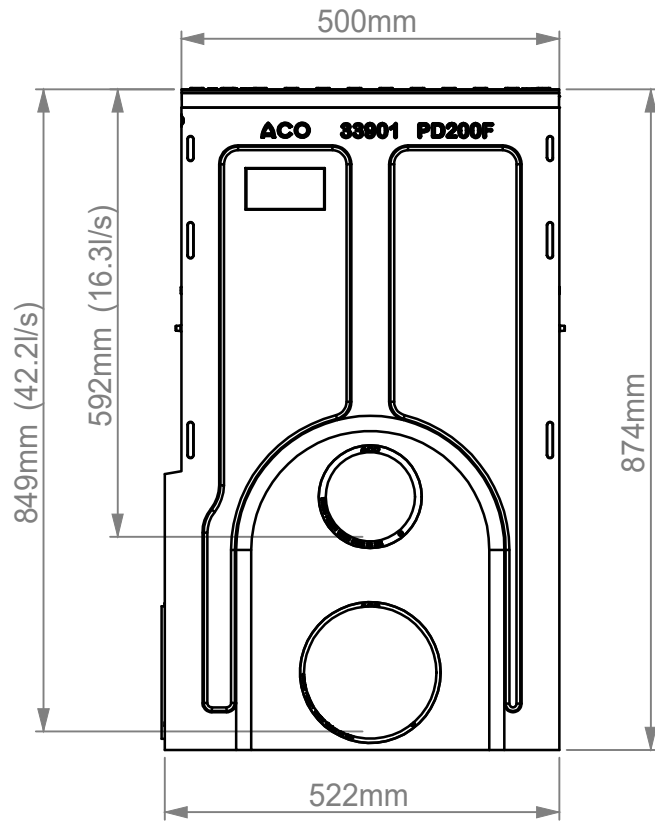
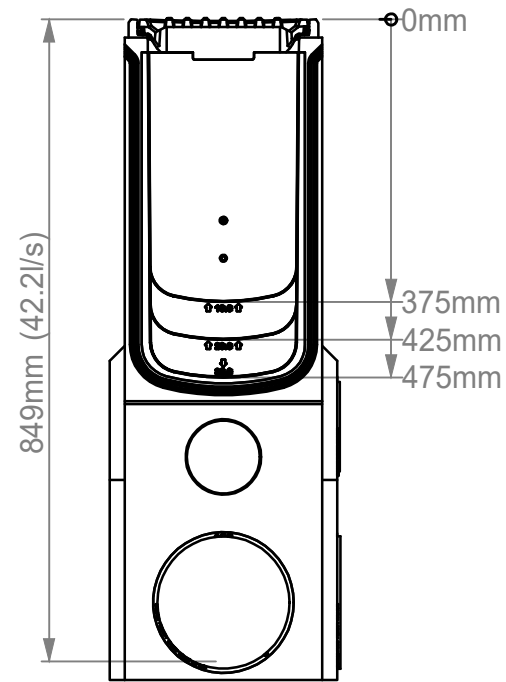
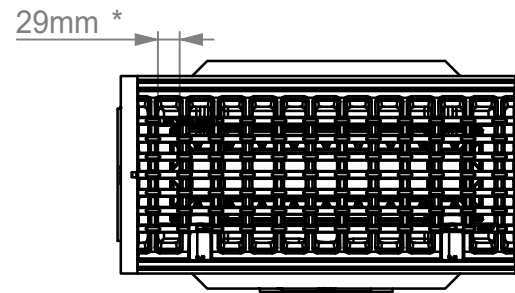
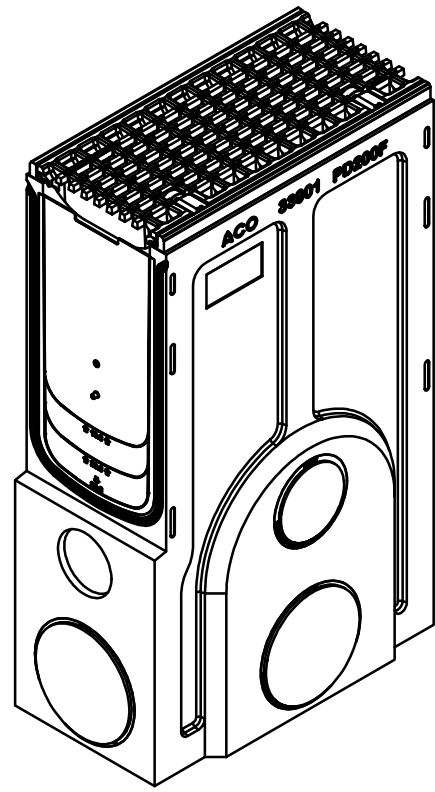



ISOMETRIC VIEW



NOTES:
 DIMENSIONS ARE FOR INDICATION ONLY AND MAY VARY DUE TO PART
 • MANUFACTURING TOLERANCES AND INSTALLATION DETAILS
 • CLEAR OPENING

A	20/08/2025	RELEASED FOR PRODUCTION	LB	LB
Issue	Date	Description	Created	Approved
 ACO Technologies plc ACO Business Park Hitchin Road Shefford Bedfordshire SG17 5TE, UK Tel: 01462 816666 www.aco.co.uk		Drawing Number: E1-M01-792-1 Title: ROADDRAIN PD200F SUMP WITH BASKET	Part Number: 33901	
Created by: JD	Created at: 18/08/2025	Projection: ISO-A	Units: mm	Format: A3
Protection note: DIN ISO 16016	Information contained in this drawing is copyright property of ACO Technologies plc. Any reproduction in part or whole without written permission of ACO Technologies plc is prohibited.			Scale: 1:10
			Sheet: 1 of 1	